

**Instruction Contents:**

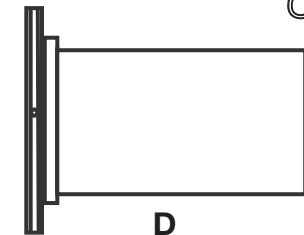
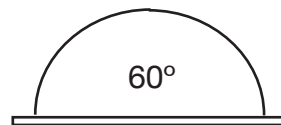
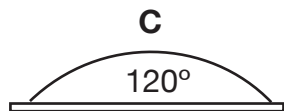
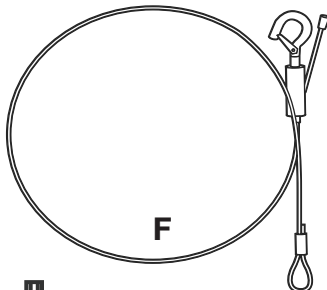
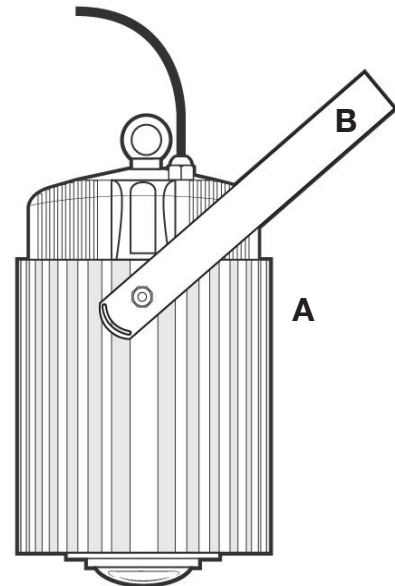
- Step 1 - What's Included
- Step 2 - Warnings & Precautions
- Step 3 - Electrical Wiring
- Step 4 - Mounting Methods & Instructions
- Step 5 - Snoot Attachment
- Step 6 - Optical Lens Adjustment
- Step 7 - Connecting to LED Controller
- Step 8 - Using IR Remote (6870, 6878)
- Step 9 - Warranty

**Step 1 - What's Included\*:**

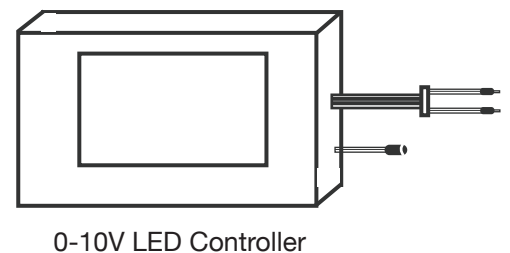
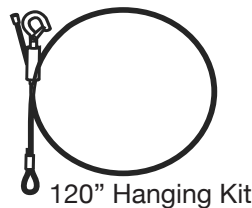
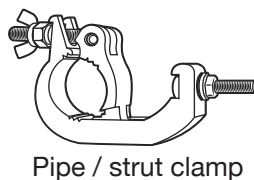
- 1 - Cannon LED pendant w/multichip LED & driver (A)
- 1 - Swivel bracket (pre-installed) with mounting hardware (B)
- 3 - Optical lenses 90° (pre-installed), 60°, 120° included (C)
- 1 - Light snoot with mounting hardware (D)
- 2 - Allen wrenches (E)
- 1 - Safety cable wire harness (F)

\*Dimmable versions also include:

- 1 - Female DC dimming plug (pre-installed)
- 1 - Male DC dimming plug (G)
- 2 - Heat shrink tubing (H)



**Optional Accessories:**





**This luminaire is for wet locations.**

To Avoid injury and possible electric shock it is imperative you:

**READ AND FOLLOW ALL SAFETY INSTRUCTIONS AND WARNINGS**

## Important Warnings

This is NOT a page of legalese. It contains important safety information that you should read and save for future reference. Remember you can always quickly reference instructions for all EcoXotic products on our website.

- Never attempt repairs yourself; return the appliance to an authorized service facility for service, or discard the appliance.
- Carefully examine the fixture after installation and BEFORE your plug in into the GFCI and wall outlet.
- Never operate a fixture that is damaged or malfunctioning. Discontinue use immediately and return to an authorized service facility.
- Close supervision is necessary when an appliance is used by or near children.
- Always unplug the fixture when not in use, before putting on or taking off parts, and before cleaning. Never yank the cord to pull plug from the GFCI. Grasp the plug and pull to disconnect.
- Do not use the fixture other than for intended use. The use of attachments not recommended or sold by the fixture manufacturer may cause an unsafe condition and will void your warranty.
- Do not use or store the fixture where it will be exposed to the weather or to temperatures below 0 degrees Celsius or 32 degrees Fahrenheit.
- Do not operate at temperatures above 50 degrees Celsius or 122 Degrees Fahrenheit.
- Ensure the fixture is securely installed before supplying power to the unit.
- Read and observe all important notices and warnings on the fixture and power cord.
- If an extension cord is necessary, a cord with a rating at least 15 Amperes should be used. A cord rated for less Amperes or watts than the fixture rating may overheat. Care should be taken to arrange the cord so that it will not be tripped over or pulled.
- **DO NOT** look directly into the LEDS. The fixture is not designed for use inside canopies.

To Avoid injury and possible electric shock it is imperative you:  
**READ AND FOLLOW ALL SAFETY INSTRUCTIONS AND WARNINGS**



## **Warning: This product must be installed by a licensed electrician**

Before beginning any work on the electrical installation, be sure that the main breaker panel is "OFF" to avoid any danger of electric shock. All mounting of the unit must be completed before proceeding with electrical hook-up. Where required by local, state or National Electric Codes the circuit should be equipped with a ground fault interrupter. As with any electric appliance, failure to electrically ground unit may result in serious injury or death.

## **Grounding Instructions**

This appliance must be connected to a GFCI plug then to a grounded wall outlet to minimize the possibility of electric shock. This plug must be plugged into an outlet that is installed and grounded in accordance with all appropriate codes and ordinances.

This appliance must be installed on a grounded circuit 120VAC.

If you do not have an available grounded outlet, you must have one installed by a qualified electrician.

**Warning: This product must be installed by a licensed electrician**



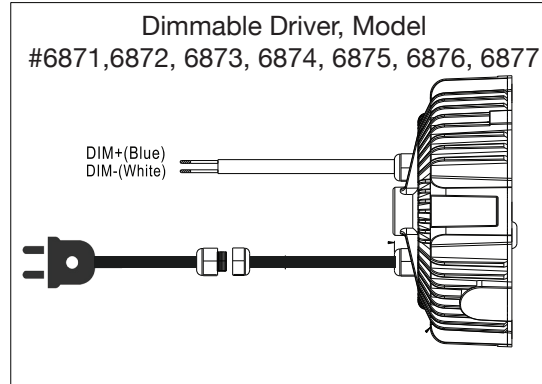
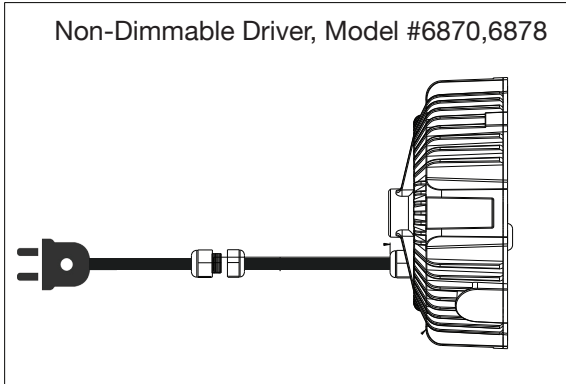
**Electrical Requirements**

- The LED driver must be supplied with 120VAC, per product label and connected to an individual properly grounded branch circuit, protected by a 15 or 20 ampere circuit breaker.



**Grounding Instructions**

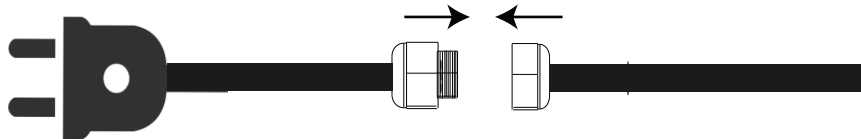
- The grounding and bonding of the overall system shall be done in accordance with National Electric Code (NEC) Article 600 and local codes.



**Wiring Instructions**

Attach power cord at quick disconnect by connecting and hand-tightening the disconnect plug. Plug into appropriate voltage outlet and test lamp before installation. Please use the wiring diagram below.

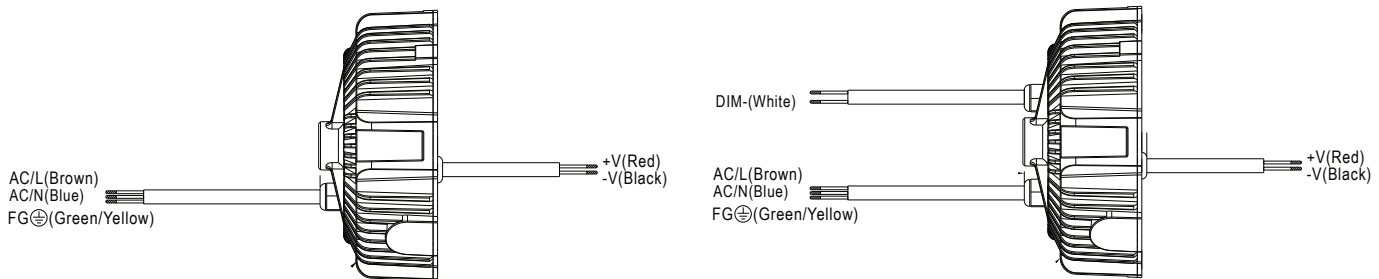
Connect Plug & Tighten



The LED driver must be supplied with 120VAC/60Hz per product label.

Note: If product is being shipped outside the USA, an appropriate may or may not be supplied with the unit.

If product is shipped without a powercord, please use the wiring diagram below.



### Step 4 - Mounting Methods and Instructions

The Cannon PRO LED pendant includes an adjustable swivel bracket which is pre-installed for easy installation. Two optional mounting methods are also available for mounting the LED to a pipe (using optional pipe clamp) or hanging vertically (via optional 120" wiring hanging kit).



Swivel Bracket Mount  
(Included)



Pipe / Strut Clamp  
(Optional)

### Swivel Mounting Bracket

- A. Locate mounting location on wall, ceiling or beam. Ensure mounting location is capable of holding a weight of 4kg.. **BRACKET MUST BE MOUNTED TO A STRUCTURAL MOUNTING POINT.**
- B. Place bracket at location and mark location of 2 screw holes.
- C. Drill small hole at each screw location.
- D. Place bracket at location and attach to beam, ceiling or wall using the included wood attachment screws.
- D. Screw safety cable end loop to suspension point or loop over point (beam) and run hook gripper end through loop. **SAFETY CABLE MUST BE USED AT ALL TIMES!**
- E. Attach safety cable hook gripper to pendant eyehook. Tighten cable and remove any slack by pushing cable into gripper.

#### To Adjust:

- Remove small locking bolt using small allen wrench
- Loosen adjustment bolt using large allen wrench
- Swivel pendant to desired angle
- Tighten adjustment bolt and locking bolt



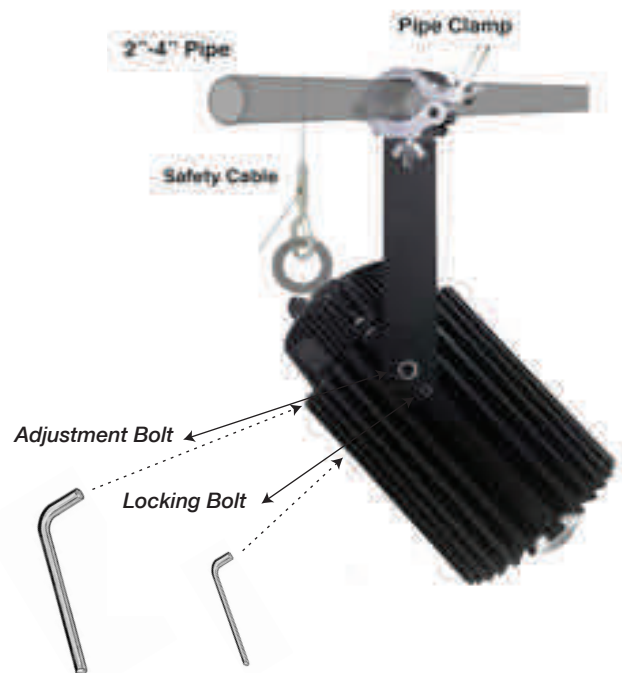
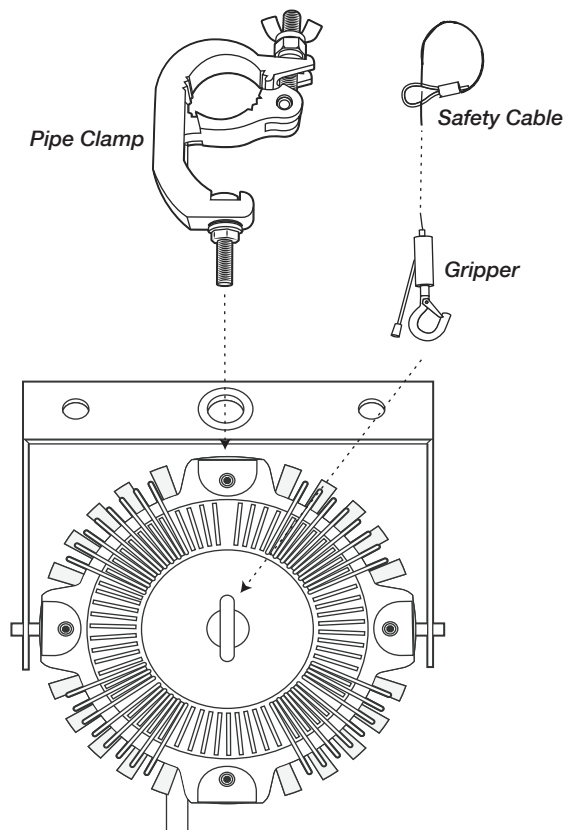
## Step 4 - Mounting Methods and Instructions

### Pipe Clamp Mounting Bracket

- A. Locate mounting location on metal pipe. Ensure mounting location is capable of holding a weight of 4kg.. BRACKET MUST BE MOUNTED TO A STRUCTURAL MOUNTING POINT.
- B. Attach pipe clamp to pendant swivel bracket by using included hardware and attaching to center hole of swivel bracket. A washer should be located on each side of bracket. Tighten clamp bolt to bracket using wrench.
- C. Open pipe clamp by loosening thumbscrew and nut.
- D. Place bracket at location and attach clamp by closing around pipe and tighten nut and thumbscrew.
- D. Loop safety cable around pipe over point and run hook gripper end through loop. SAFETY CABLE MUST BE USED AT ALL TIMES!
- E. Attach safety cable hook gripper to pendant eyehook. Tighten cable and remove any slack by pushing cable into gripper.

#### To Adjust:

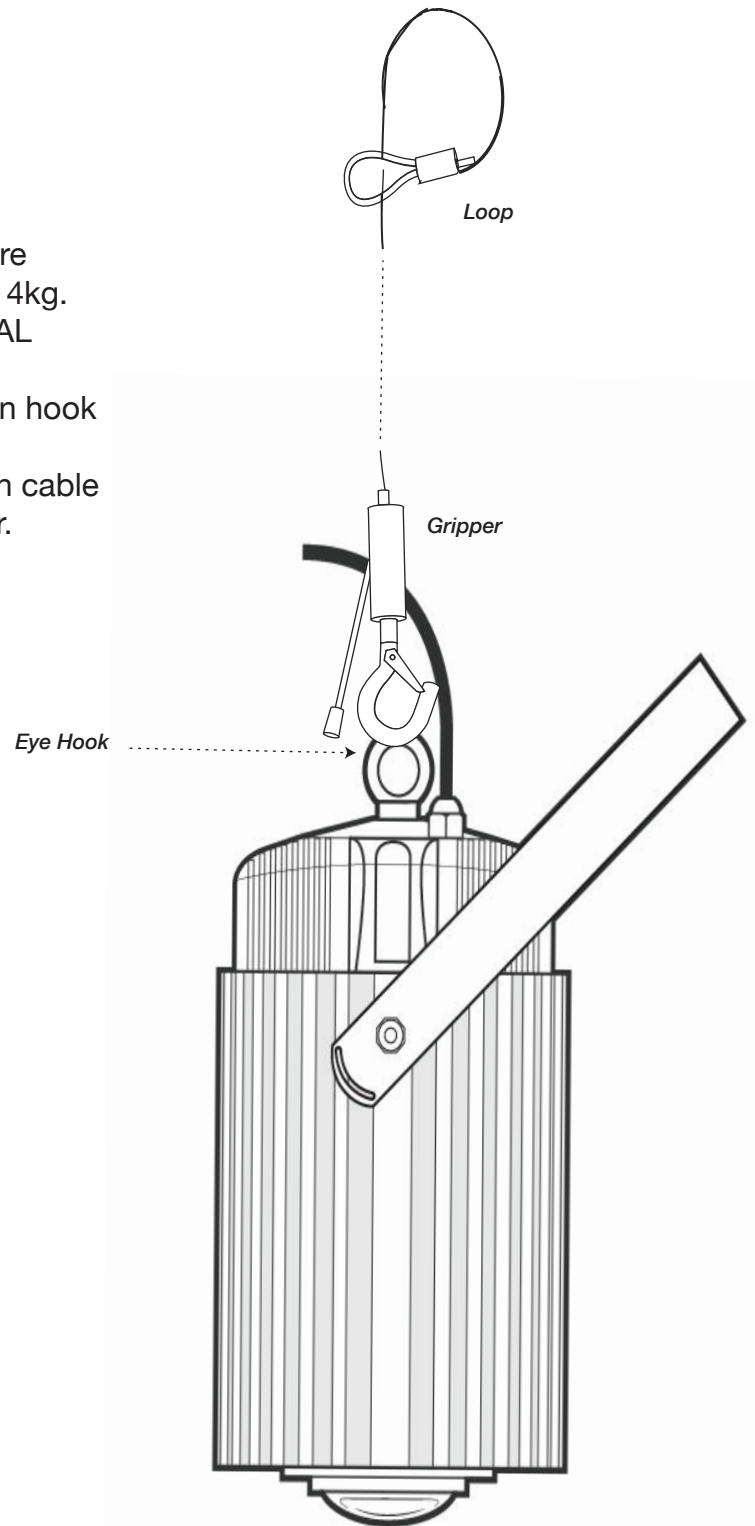
- Remove small locking bolt using small allen wrench
- Loosen adjustment bolt using large allen wrench
- Swivel pendant to desired angle
- Tighten adjustment bolt and locking bolt



## Step 4 - Mounting Methods and Instructions

### Hanging Kit

- A. Locate suspension point on beam or pipe. Ensure mounting location is capable of holding a weight of 4kg. **BRACKET MUST BE MOUNTED TO A STRUCTURAL MOUNTING POINT.**
- B. Place loop over structural mounting point and run hook gripper end through loop.
- C. Attach hook gripper to pendant eyehook. Tighten cable and remove any slack by pushing cable into gripper.

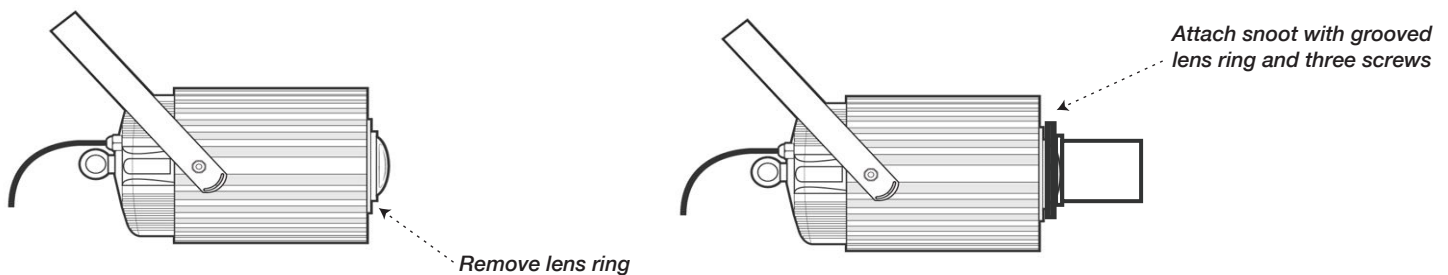




## Step 5 - Snoot Attachment

An optional light snoot is included with each Cannon Pro LED to hide the brightness of the LED lens from the viewing area. We highly recommend using the snoot with the 60° and 45° lenses.

- A. Slide black snoot over the LED lens ring with the three mounting holes positioned over ring.
- B. Attach snoot by slightly tightening three screws (included) into groove on lens ring.



## Step 6 - Optical Lens Adjustment

Three lenses are included with each Cannon Pro - 90° (pre-installed), 60° and 120°. To switch and adjust light angles:

- A. Carefully unscrew lens ring by turning counter clockwise. When removed, the existing lens, gasket and reflector will slide off of LED chip. **IMPORTANT: DO NOT TOUCH LED CHIP!**
- B. Choose optical lens.
- C. Replace reflector, gasket and lens and attach to pendant using the lens ring. Hand tighten only. See spec sheet for viewing angles.

## Step 7 - Connecting to LED Controller

Cannon Pro LED pendants which feature a dimmable LED driver accept the following type of control signals; 1-10V dc, 10V PWM signal and Resistance. Please refer to the Meanwell HBG160 specification sheet for more information on 10V PWM and resistance signals.

**IMPORTANT:** If not connecting to a dimmer or controller, we recommend using the larger piece of heat shrink and covering the dimming cable plug to prevent moisture/corrosion damage.

Note: This light cannot be dimmed to 0 (completely off) and can only be dimmed to a lowest light level of 10%. This ensures safety when working with/around the light fixture.

Follow instructions on next page to connect to controller.



**Step 7 - Connecting to LED Controller**



Heat Shrink

Dim-  
Dim+ Dimming cable to controller

- To connect to standard 0-10V and PWM controllers:
- A. Identify DIM+ and DIM- signal wire from your LED controller.
  - B. Slide small heat shrink tape over your dimming cable/wire.
  - C. Attach DIM+ wire to + screw terminal on male DC plug (included).
  - D. Attach DIM- wire to - screw terminal on male DC plug.
  - E. Slide large heat shrink tape over female DC plug connected to Cannon.
  - F. Important - TEST Dimming signal by turning Cannon Pro on and adjusting your controller.
  - G. Use heat shrink tape to seal your dimming wire to plug and with male and female plugs connected, seal both plugs using larger heat shrink tape.

- To connect to **EcoXotic** 0-10V LED controller:
- A. Follow instructions included with 0-10V controller.
  - B. Slide large heat shrink tape over female DC plug connected to Cannon.
  - C. Plug controller into DC dimming cable using controller plug or splitter plug.
  - F. Important - TEST Dimming signal by turning Cannon Pro on and adjusting the controller.
  - G. Use heat shrink tape to seal your dimming wire to plug and with male and female plugs connected, seal both plugs using larger heat shrink tape.



0-10V LED Controller

To DC power (transformer included with controller)

## Step 8 - Using IR Remote

Cannon PRO Model# 6870 and #6878 both feature an integrated color spectrum controller which allows you to wirelessly control the overall color spectrum and intensity using the included remote.

### Basic Instructions

1. Follow installation instructions provided for LED light and install LED along with the Infrared IR sensor in a location where you have a clear line of sight to the sensor.
2. Remove plastic wrapping from wireless remote and remove the clear plastic tab located at the very bottom of the remote to activate battery connection.



### Preset Colors & Basic Functions

**Color Presets** - Press any of these 6 buttons to select a base color

**Add/Remove RGBW** - Press any of these 8 buttons to add or remove either red, green, blue or white and customize a selected color for storing in any of the 4 memory buttons.

**Moon Lights** - Press any of these 3 buttons for moon lighting effects

**Cloud Cover** - Press any of these 4 buttons for fading cloud cover

**Storm Effects** - Press any of these 3 buttons to mimic weather storms with lightning effects

**On/Off** - Press button to turn all LED lights on or off

**Play/Pause Mode** - Press button to play or pause a dynamic lighting effect

**Memory Buttons** - Press memory button for 4 seconds to store any custom color setting

**Sunrise/Sunset** - Setting mimics a natural sunrise/early evening with very gentle fades

**All Color Fade** - Setting slowly fades through every color spectrum



## Step 8 - Using IR Remote

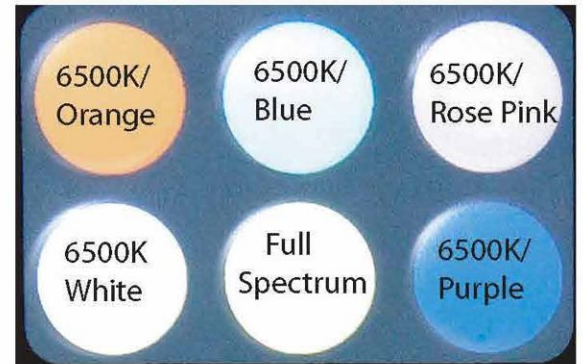
### Preset Colors & Customizing Colors

Six pre-blended freshwater optimized color spectrums are located at the top of each remote. These pre-blended color spectrums are the perfect colors for most freshwater fish. They are also ideal for using as a “base color” and custom blending your own preferred color spectrum.

To customize, simply:

1. Choose a base color pre-set
2. Using the arrows below, add or remove red, green, blue or white color spectrum by pressing any of the eight colored arrows (up increases the amount of a color, down decreases the amount of the color)
3. When you reach your custom color, simply press one of the four memory buttons (M1, M2, M3 or M4) for 4 seconds, fixture will flash when complete
4. Your custom color is now stored within the memory of the unit

Color Presets



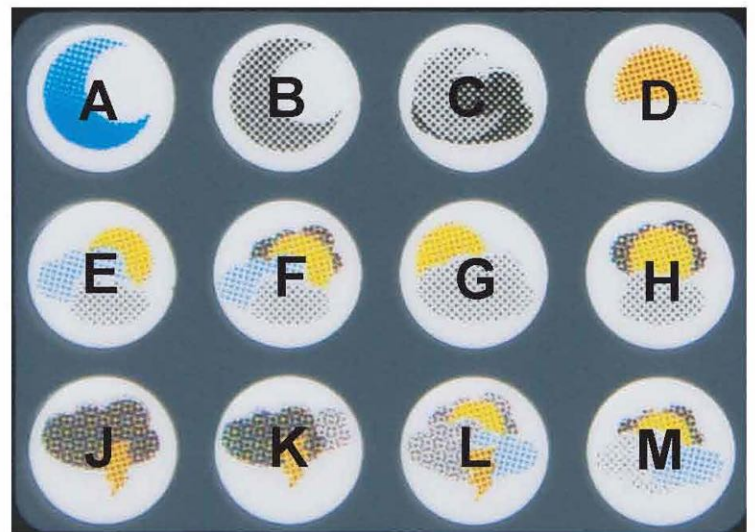
For suggested color spectrums based on your fish, please visit [www.current-usa.com](http://www.current-usa.com).

### Dynamic Lighting Effects

There are 16 pre-programmed dynamic lighting effects which simulate natural weather conditions and are available on-demand by simply pressing the designated effect button. The effect can be paused at any time by pressing the play/pause button. Please note: when a dynamic effect is chosen, it will replace the customized or pre-set color and the light will only revert back to the color by pressing the pre-set color or memory button.

#### Moon Lighting:

- A** - Intense, fading blue color spectrum lunar moon lighting
- B** - A softer, fading blue moon light
- C** - Fading moon lighting with a bit of cloud cover
- D** - Dawn/dusk setting with gentle cloud cover for evening/morning viewing



#### Cloud Cover

- E** - A bright white sunlight with rolling cloud cover through various color spectrums
- F** - More intense cloud cover fading between white and blue color spectrums
- G** - A more gentle, slower cloud cover fading between white and blue color spectrums
- H** - Bright sunlight fading between white and red color spectrums

#### Rain Storm/Lightning

- J** - Very intense cloud cover effects with a powerful white lightning storm/strike
- K** - A slower cloud cover and lower intensity fading through all color spectrums to an evening blue with white lightning strikes
- L** - Very low intensity gentle cloud cover (partly cloudy) with a soft lightning strike
- M** - A gentle fade through all of the color spectrums



# Cannon PRO LED Pendant Product Manual & Safety Instructions

## Warranty

This limited warranty applies only to products that are manufactured by or for Ecoxotic and can be identified by trade name or logo affixed to it, and sold by an authorized Ecoxotic retailer in the United States to you, the original purchaser of such products (“Products”). Ecoxotic hereby warrants that Products will be free from defects in materials and workmanship for a period of one (1) year from the date of original retail purchase (the “Warranty Period”). This warranty does not apply to any product that is not an Ecoxotic Product.

This warranty does not apply to Products (i) that have been damaged by accident, abuse, misuse or misapplication, improper installation, saltwater corrosion, electrical surges, (ii) that have been modified without the written permission of Ecoxotic or, (iii) for which any Ecoxotic logos have been removed or defaced.

US and Canadian residents can contact Ecoxotic directly if you discover a defect in any Product. In the event that such Product is defective, as determined by Ecoxotic in its sole discretion, Ecoxotic’s sole obligation, and your exclusive remedy, shall be for Ecoxotic, at its option, to repair or replace such Product at no charge to you, provided that you (i) return such Product to Ecoxotic during the Warranty Period, and (ii) provide proof of purchase and registration of such Product. If the returned Product is not defective or is returned after the Warranty Period, Ecoxotic shall have no obligation to repair or replace the Product. Residents outside the US and Canada should contact the place of purchase for warranty issues.

EXCEPT AS EXPRESSLY PROVIDED ABOVE OR AS REQUIRED BY LAW, ECOXOTIC PRODUCTS ARE PROVIDED “AS IS,” WITHOUT WARRANTY OF ANY KIND. THE WARRANTY AND REMEDIES SET FORTH ABOVE ARE EXCLUSIVE AND IN LIEU OF ALL OTHERS, WHETHER ORAL OR WRITTEN. ALL WARRANTIES IMPLIED BY STATE LAW, INCLUDING IMPLIED WARRANTIES OF MERCHANTABILITY AND FITNESS FOR A PARTICULAR PURPOSE, ARE EXPRESSLY LIMITED TO THE LESSER OF THE DURATION UNDER STATE LAW OR THE DURATION OF THE LIMITED WARRANTY SET FORTH ABOVE. IN NO EVENT SHALL ECOXOTIC BE RESPONSIBLE FOR SPECIAL, INCIDENTAL, OR CONSEQUENTIAL DAMAGES, INCLUDING, BUT NOT LIMITED TO LOST PROFITS, DOWNTIME, GOODWILL, DAMAGE TO OR REPLACEMENT OF OTHER EQUIPMENT OR PROPERTY, COSTS OF RECOVERING OR REPLACING ANY ANIMALS, FISH, PLANTS, TANKS OR OTHER AQUARIUM RELATED ITEMS AND/OR EQUIPMENT, OR PERSONAL INJURY. Some states do not allow the exclusion or limitation of incidental or consequential damages or limitations on the duration of implied warranties, so the above limitations or exclusions may not apply to you. This warranty gives you specific legal rights, and you may also have other rights that vary from state to state.

This warranty is not transferable. No person is authorized to change, modify or extend the terms of this warranty in any manner. This warranty is governed by the laws of the State of California, excluding conflicts of laws principles. Ecoxotic reserves the right to make changes, additions and improvements to its products from time to time, and has no obligation to replace the exact same model of Product.